

D

C

B

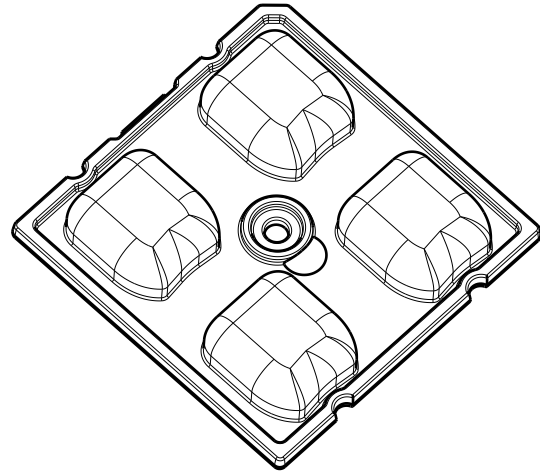
A

DATE

27.08.2021

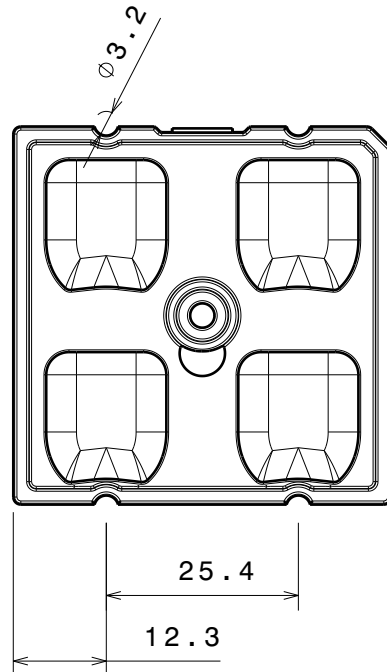
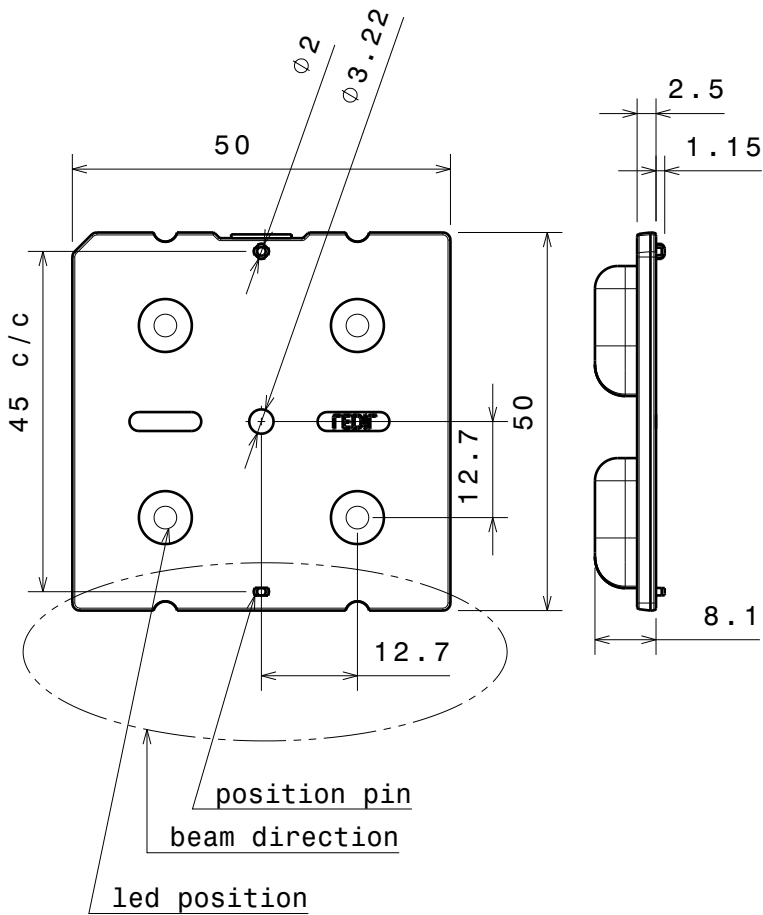
4

4



3

3



2

2

PART	TYPE	MATERIAL	COLOR / COATING
C13699	lens	PMMA	clear

MECHANICAL DRAWING

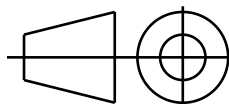
PRODUCT

C13699_STRADA-2X2-DN

LEDiL[®]

Plastic moulding general tolerances according to DIN 16901-130 and applies if not otherwise shown in the drawing. Silicone moulding general tolerances according to ISO 3302-1 Class M3 and applies if not otherwise shown in the drawing.

FIRST ANGLE PROJECTION:



This drawing is the property of LEDiL Oy. It may not be copied or otherwise distributed without prior written permission from LEDiL Oy.

1

1

SCALE

1:1

WEIGHT

-

A4

SHEET 1/1

D

A